

4-STATION SMALL VALVE PACK

HYDRAULIC
CONTROL
SYSTEM



The 4-Station Small Valve Pack have four proportional directional valves with outlet ports in front. Each outlet can be pressure and flow adjusted to achieve correct pressure for applications.

There are two 8 pin burton connectors in the front for connection to ROV or/and connect to other subsea tooling using canbus or any other type of communication. This solution is provided to have a more redundant valvepack if installed on equipment with more than one valve pack in series. There is pressure and return connection in front for hydraulic supply. All valves are located inside the valve pack housing and are depth compensated using a compensator.

A topside Graphical User Interface (GUI) can be used to provide complete control of the valve pack with on screen buttons and continuous diagnostics information from the valve pack. The Graphical User Interface can be customized according to customer needs and requirements.

Features

- Compact and low weight
- High reliability proportional valves as standard
- Pressure and flow regulation on each outlet
- Pressure sensor feedback
- Pressure tolerant electronics
- Hardware and GUI Control with Diagnostics
- Rated to 3000MSW
- RS232 / 485 or Ethernet communication

Typical Operations

- Intervention Works
- Subsea Control System
- Subsea Tooling

■ Note: The specification details are illustrative for marketing purposes only. Actual equipment may be different as a result of product improvement or other reasons. Specific interface and performance information should be reconfirmed at time of order placement.

SPECIFICATIONS

4-STATION SMALL VALVE PACK

General Technical Data

Type	4-Station Small Valve Pack
Part Number	101213
Materials	Alu 6082-T6, Xylan / Hard anodized. Polycarbonated Lid
Weight (in air / submerged)	~35Kg / ~17Kg
Dimensions (l x w x h)	354 x 340 x 208 mm
Operating Temperature	-10°C / + 60°C (14°F / 122°F)
Fluid compatibility	Mineral based oil / Water based glycol *

* Please contact us for more information regarding water based fluid compatibility

Hydraulic Data

Max. Operating Pressure -P, A & B Port	275 Bar (4.000 PSI)
Max operating at T Port	50 Bar (725 PSI)
NG4 Nominal flow rate Qn at DP = 10 Bar	22 L/Min
NG4 Qmax	30 L/Min
NG6 Nominal flow rate Qn = 10 Bar	30 L/Min
NG6 Qmax	40 L/Min
Viscosity Range	20 ... 400 mm ² /s

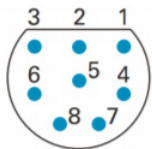
Port & Valve Specification

Port 1 - A/B	NG 6 Prop Directional Valve Prop. Pressure Regulation (incl. pressure sensor) Connection: 3/8" BSP Female
Port 2, 3 and 4 - A/B	NG 4 Prop Directional Valve Prop. Pressure Regulation (incl. pressure sensor) Connection: 3/8" BSP Female
P and T Port	Connection: 1/2" BSP Female
Housing Connections	8 x 3/8" BSP Female

Electrical

PCB	iCsys Control PWM PCB
Nominal Voltage	20..30 VDC
COMS	Ethernet (RS232 / 485 Optional)
Connector	5506-1508 (55 Series, Shell Size 15, 8-Pin)

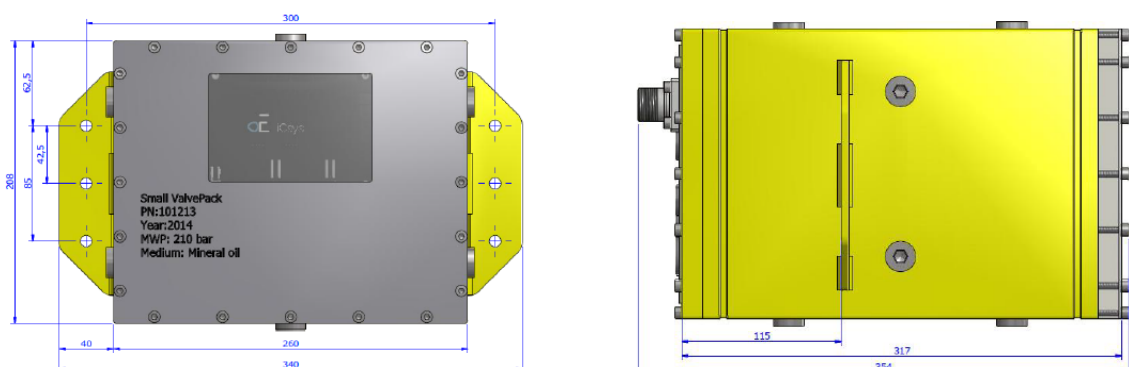
Pin-out



PWR & COMS

Pin 01 – 0 VDC	Pin 05 – TX+ ORG /WHT
Pin 02 – 24 VDC	Pin 06 – TX- ORG
Pin 03 – RS 485 +	Pin 07 – RX+ GRN/WHT
Pin 04 – RS 485 -	Pin 08 – RX- GRN

Dimensions



□ Note: The specification details are illustrative for marketing purposes only. Actual equipment may be different as a result of product improvement or other reasons. Specific interface and performance information should be reconfirmed at time of order placement.