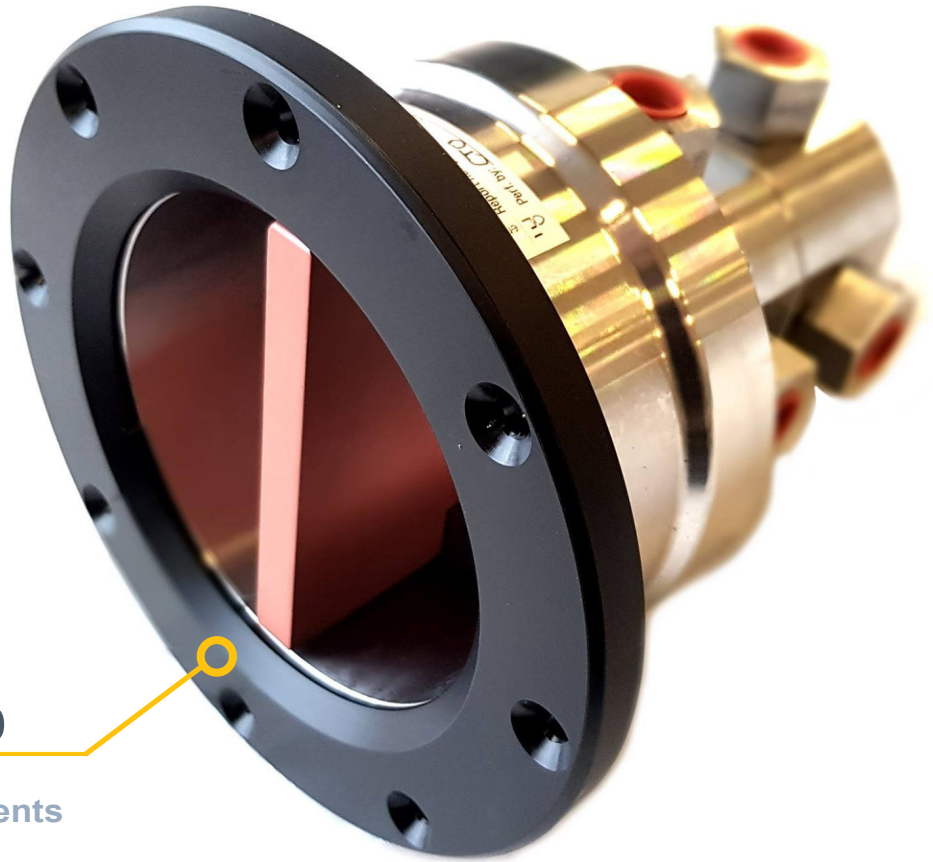


ROV OPERATED VALVE

PANEL
MOUNTED



DESIGNED
for demanding
subsea environments

Description

Our ROV Operated Directional Control Valve is a field proven component used in subsea systems all over the world. Available in a number of configurations and valve / port sizes.

The Envirex ROV Operated Rotary Directional Control Valve are designed to meet the requirements for use in the most demanding harsh subsea environments. Our standard range of rotary control valves is available at pressure ratings up to 20,000PSI (1379Bar) and water depths to 3000 meters (10,000Ft).

Envirex can supply standard design or customer specified variations of ROV actuator interfaces.

Features

- Excess torque not transferred to valve stem
- Stainless Steel Construction
- Wide Range of fluid compatibility
- Rated to full ocean depth
- Service and user friendly
- Custom design available
- 2, 3 and 4 way valve types available

Typical Applications

- ROV Control Panels
- BOP Intervention Panels
- Subsea Control System
- Chemical Injection Systems
- Subsea Tooling

Visit us at envirexgroup.com for further information.

SPECIFICATIONS

ROV OPERATED DIRECTIONAL VALVES

Stainless Steel Type Actuator - General Technical Specifications

Type	SS Panel Mounted ROV Operated Directional Control Valve
Part Number	See model code table
Fluid	mineral oil and most common water/glycol based fluids
Weight (in air)	8.3 Kg
Volume	11712.5 cm ³
Operating Temperature	-20°C / + 70°C (-4°F / 158°F)
Design Standards	ISO 13628-4 / API 17D

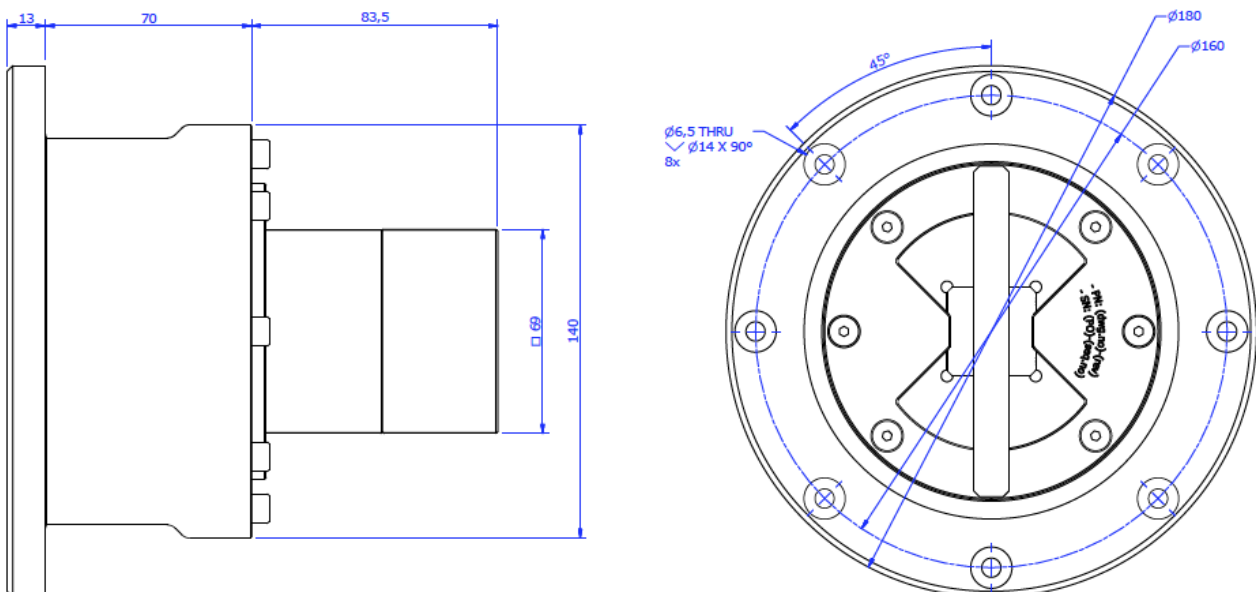
Hydraulic Technical Data

Working pressure	20 - 690 Bar (290 - 10.000 PSI)
Test / Proof Pressure	1.5 x MWP, Static test
Debris tolerance / Fluid cleanliness	SAE AS4059 class 12B-F
Number of ports	4
Number of positions	3
Port connection size / type	See model code table
Leakage	Max. 5 drop/min after 10 min.
Flow coefficient	P-A or P-B Cv - 0.65 A-R or B-R Cv - 0.58
Flow configuration	Right turn (CW) P-B, A-R Center Position According to selected model code Left Turn P-A, B-R

Materials

Valve Body Material	AISI 316
Valve Trim	AISI 440
Valve Seat	AISI 440
Seal (Gasket)	PTFE / NBR
Bolts / Nuts	A4-80 (AISI 316)

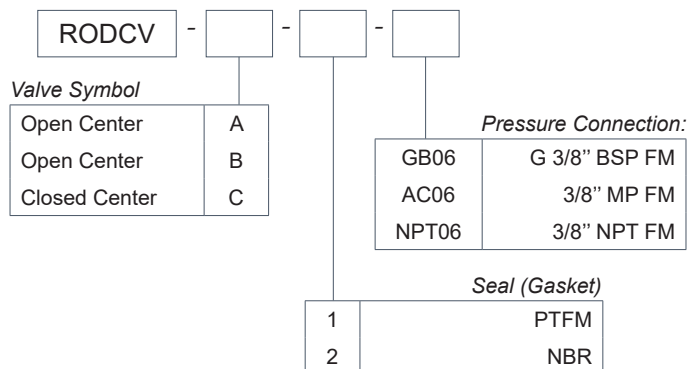
Valve Dimensions



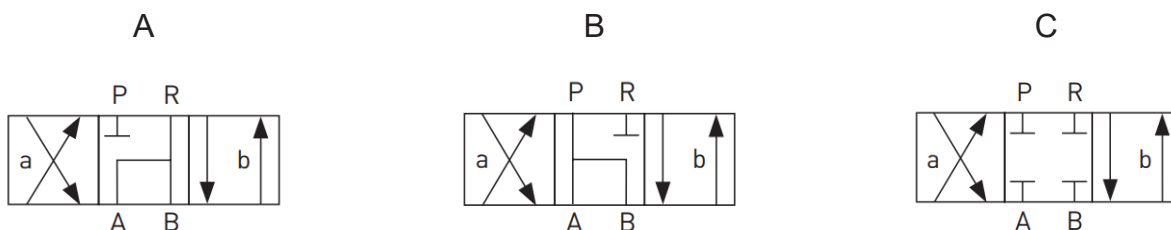
SPECIFICATIONS

ROV OPERATED DIRECTIONAL VALVES

Ordering Codes



Valve Symbols



Note: Other Valve Symbols available on request

Valve Connections

