

# SUBSEA PRESSURE SENSOR

ESPS 3000  
SENSOR  
SERIES



**DESIGNED**  
for demanding  
subsea environments

## Description

The compact subsea pressure transmitter **ESPS 3000** is designed for use in almost all subsea applications, and offers a reliable pressure measurement, even under harsh environmental conditions.

Excellent vibration stability, robust construction, and a high degree of EMI protection equip the pressure transmitter to meet the most stringent industrial requirements.

Next to the delivery of stand-alone sensors, Envirex Group supplies full-fledged subsea monitoring / control systems, which include all related sub-systems: mechanics, hydraulics, software, electronics, controls, and more.

## Features

- High accuracy
- Wetted parts made of stainless steel
- Compact and robust design
- Pressure ranges from 0 to 2200Bar
- For temperatures up to 125°C.
- Submersible to 3000M seawater
- Service and user friendly
- 4-20mA or RS232 / CAN-Bus COMS

# SPECIFICATIONS

## ESPS 3000 PRESSURE SENSOR SERIES

### General Technical Specifications

Type	ESPS 3000 Series, Subsea Pressure Sensor
Materials	AISI316L

### Technical Data

Accuracy (incl. nonlinearity, hysteresis and repeatability)	±0.5% FS
Thermal zero point shift	<± 0.15% FS/ 10K
Thermal span shift	<±0.15% FS/ 10K
Response time liquids(10-90%)	> 0.5 ms
Durability, P: 10-90% FS	>10 ×10 <sup>6</sup> cycles

### Overload / Burst Pressure Table

Nominal Pressure [bar]	250	400	600	1000*	1600*	2200*
Overload Pressure	500	800	1400	2000	2500	3000
Burst Pressure	2500	4000	>4000	>4000	>4000	>4000

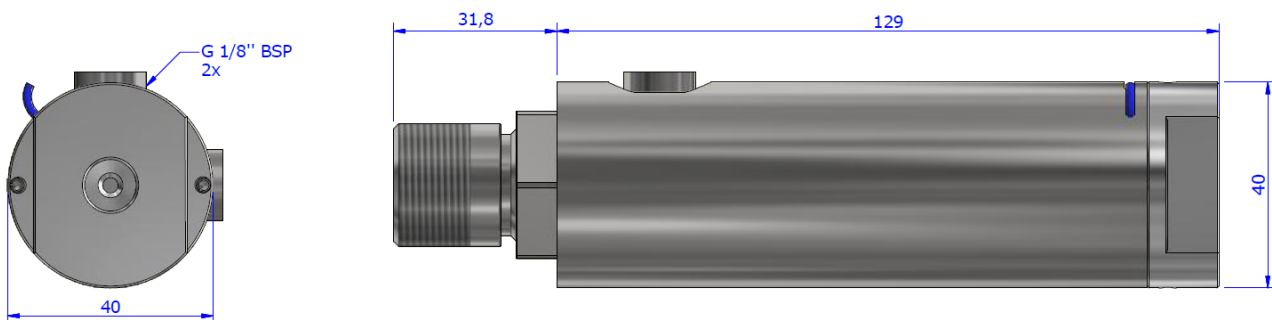
\* Only available with 1/4" Medium Pressure port.

### Environmental Specifications

Media Temperature Range	-40°C → +125°C
Ambient Temperature Range	-15°C → +70°C
Compensated Temperature Range	-15°C → +70°C
Electrical Performance Compliance	ISO 7637
Vibration stability	[20g, 10-2000 Hz, sinus] EN 60068-2-6
Shock Resistance	[100g] EN 60068-2-27
Pressure Reference	Athmosphere (Relative) *

\* To achieve subsea reading with the local ambient pressure at depth with the zero point being equal to the ambient pressure a compensator must be connected to the sensor. Envirex can also supply suitable subsea pressure compensator on request.

### Dimensions



# SPECIFICATIONS

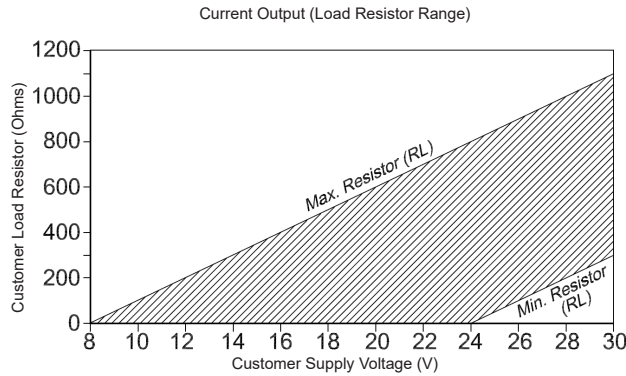
## ESPS 3000 PRESSURE SENSOR SERIES

### Electrical Specifications

Output Signal	4-20mA or RS232 / CAN-Bus
Supply Voltage	8 to 30VDC
Connector Type	G5507-1508*
	* Compatible with Burton / Seacon connectors

### Load Chart

4 to 20mA output - min. / max. resistance vs supply voltage



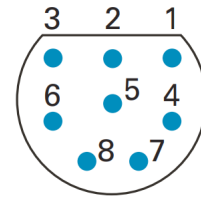
**Note:**  
Loop current should not exceed 22 mA continuous or 25 mA temporarily due to pressure peaks

### Connector Pin-Out 4-20mA

- Pin 01: NC
- Pin 02: 24VDC
- Pin 03: 4-20mA
- Pin 04: NC
- Pin 05: NC
- Pin 06: NC
- Pin 07: NC
- Pin 08: NC

### RS232 / CAN-Bus

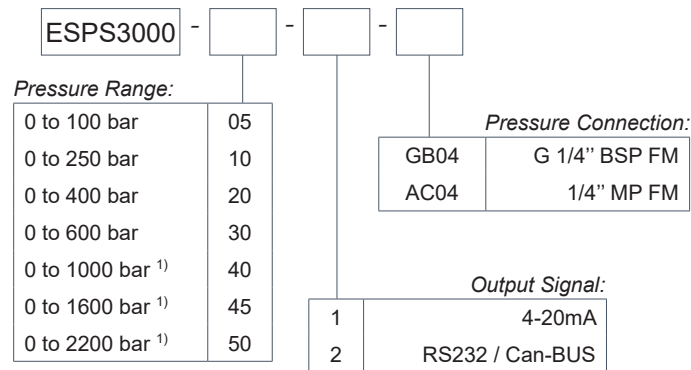
- Pin 01: 0V
- Pin 02: 24VDC
- Pin 03: CAN Hi
- Pin 04: Can Lo
- Pin 05: RS232 TX
- Pin 06: RS232 RX
- Pin 07: RS232 GND
- Pin 08: NC



5507-1508 Face view

Note:  
Versions from 2017 and older have other pin-out. Contact us for further information.

### Ordering Codes



<sup>1)</sup> Only available with AC04 Pressure Connection

### Accessories

- Pigtail Cable G5501-15-08-0004 (4 Feet long) Part Number: 112345
- EVX Mini Compensator 30ml 1" BSP Part Number: 101905
- EVX Mini Compensator adapter 1"-1/4" BSP Part Number: 102933

### Included Documentation

- Sensor Test Report
- DoC (Declaration of Conformity)
- Technical Datasheet

### Optional Documentation

- Calibration Certificate
- Other required tests and documentation
- Optional documentation only delivered on request.